

Make your seals state-of-the-art

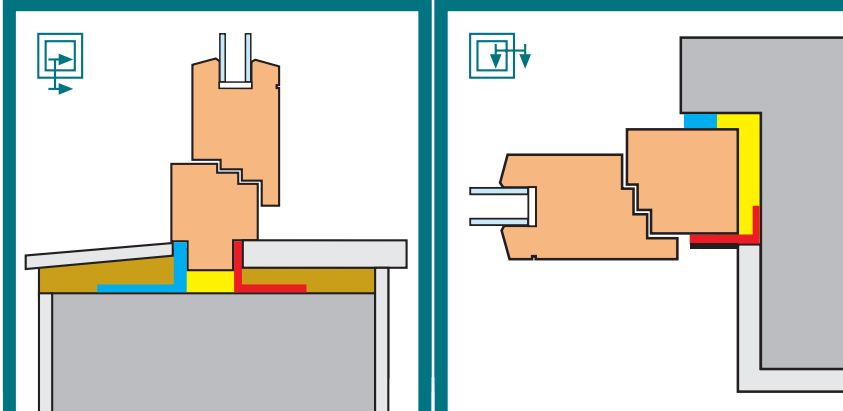
A world of choice:

Choose the customised Hanno Triple-Layer Joint Sealing System specific to your requirements from a range of carefully matched products. Select products according to project specifications, connection details and installation conditions.

All systems provide the following:

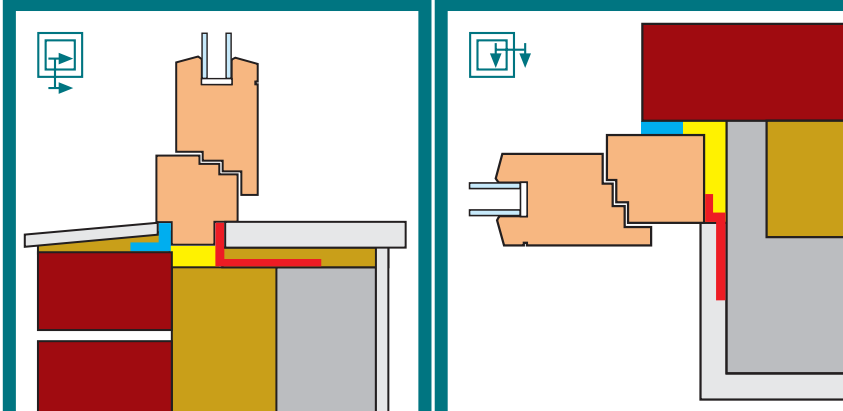
- Driven-rain tightness ≥ 600 Pa Pressure differences as per EN DIN 1027
- Airtight as per DIN 4108 part 7
- Effective sound proofing and heat insulation

Systems for renovation jobs



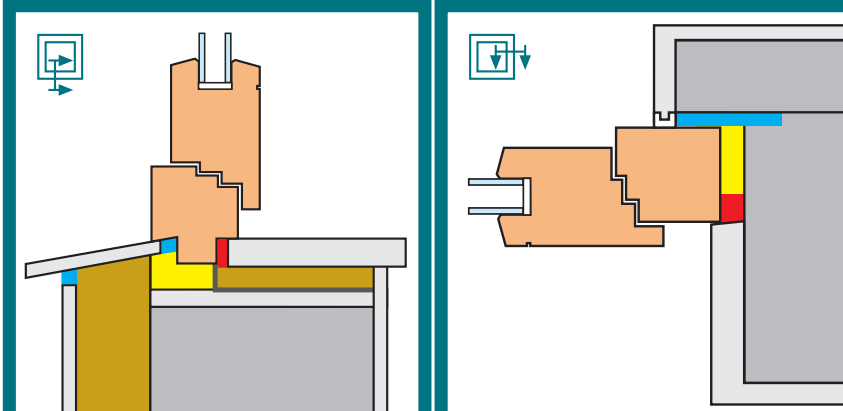
- Hanno®-Foil Tape FA-D/Duo
- Hanno®-PU-foam
- Hanno®-Foil Tape FI-D/Duo
- Hannoband®-BG1
- Hanno®-PU-foam
- Hanno®-Foil Tape FI-D/Duo

Systems for new buildings/brick facades



- Hanno®-Foil Tape FA-D/Duo
- Hanno®-PU-foam
- Hanno®-Foil Tape FIB
- Hannoband®-BG1
- Hanno®-PU-foam
- Hanno®-Foil Tape FI-D/Duo

Systems for new buildings/WDVS



- Hannoband®-BG1
- Hanno®-PU-foam
- Hannoband®-BG1
- Hanno®-Foil Tape FA-D/Duo with APu strip
- Hanno®-PU-foam
- Hannoband®-BG1

Confidence we can guarantee

What are the stipulations of the new energy saving laws as far as windows are concerned?

The building must be permanently airtight in accordance with standard engineering practice. The appropriate standard is DIN 4108-7, which also contains planning and design recommendations as well as examples. Airtightness is verified using the blower-door process at 50 Pa over/under pressure.

Why?

Rooms used for living and working are subject to humidity; i.e. dampness which tries to escape to atmosphere. This transfer of humidity should not take place via window joints but by way of controlled ventilation. If humid air enters a joint, it may cool down and condensation may form which could damage the connection or reduce thermal insulation. This is why connecting joints must be properly and correctly sealed according to standard engineering practice.

What exactly is standard engineering practice?

Standard engineering practice comprises a number of rules and regulations formulated on the basis of scientific and practical data to specify that which is technically possible. Examples of such regulations include BAB, RAL and DIN/EN standards: such standards are either specific or tacit components of work/job specifications.

The legislative has introduced a number of energy saving statutes and laws. In the case of window connecting joints one of the primary areas of focus is the avoidance of heat bridges. This is a practical application of the principle of making the inside tighter than the outside and has been applied for many years. This principle is implemented not by a single sealing product or a single sealing layer but comprises a sealing concept, usually of several layers, which ensures that there is a vapour pressure gradient from inside to outside.

The effect:

By having a number of sealing layers interacting with one another, any flaws in a joint will allow any penetrating humidity to diffuse outwards. This principle avoids the need for expensive remediation work caused by damage as a result of dampness – it therefore helps maintain a building's value.

■ The Hanno Triple-Layer Joint Sealing System is compliant with the statutory requirements on all three of its sealing layers, and therefore represents and conforms with standard engineering practice.

■ The MPA Bau (Materials Testing Agency for the Construction Agency) in Hanover has certified the Hanno® Triple-Layer Joint Sealing system.

The bottom line:

By trusting in the professionalism and competence of Hanno you can avoid sudden and unpleasant surprises:

■ Hanno has many years of experience in the sealing of joints. Many major names in the building and construction industries have been suppliers and users of Hanno products for many years.

■ Cooperation with independent institutes, such as IFT and the Material Testing Institute in Hannover, and the implementation of a ISO 9001 certified quality assurance system guarantee security.



■ Full documentation is available for planning purposes.



■ Our application technology department is at your service for consultation during planning stages as well as on site.

■ We also operate a full coverage producer's liability scheme to provide compensation in the event of unexpected incidents.

in Germany
Hanno Werk GmbH & Co. KG
Hanno-Ring 5
30880 Laatzen
Germany
Telephone +49 (0) 51 02/70 00-0
Fax +49 (0) 51 02/70 00-102
E-mail: info@hanno.com
Internet: www.hanno.com

in Austria
Hanno Werk GmbH & Co. KG
Industriestraße 24
2325 Himberg bei Wien
Austria
Telephone +43 (0) 22 35/8 62 27-0
Fax +43 (0) 22 35/8 60 20
E-mail: hanno@hanno.at
Internet: www.hanno.at

in Switzerland
Hanno (Schweiz) AG
Gewerbestraße 10
4450 Sissach
Switzerland
Telephone +41 (0) 6 19 73 86 02
Fax +41 (0) 6 19 73 86 03
E-mail: info@hanno.ch
Internet: www.hanno.ch

in the USA
HANNO VITO Corp.
75 Broad Street, 21st Floor
New York, NY 10004
USA
Telephone +1-646-405-1038
Fax +1-646-405-1027
E-mail: info@hanno-vito.com
Internet: www.hanno-vito.com

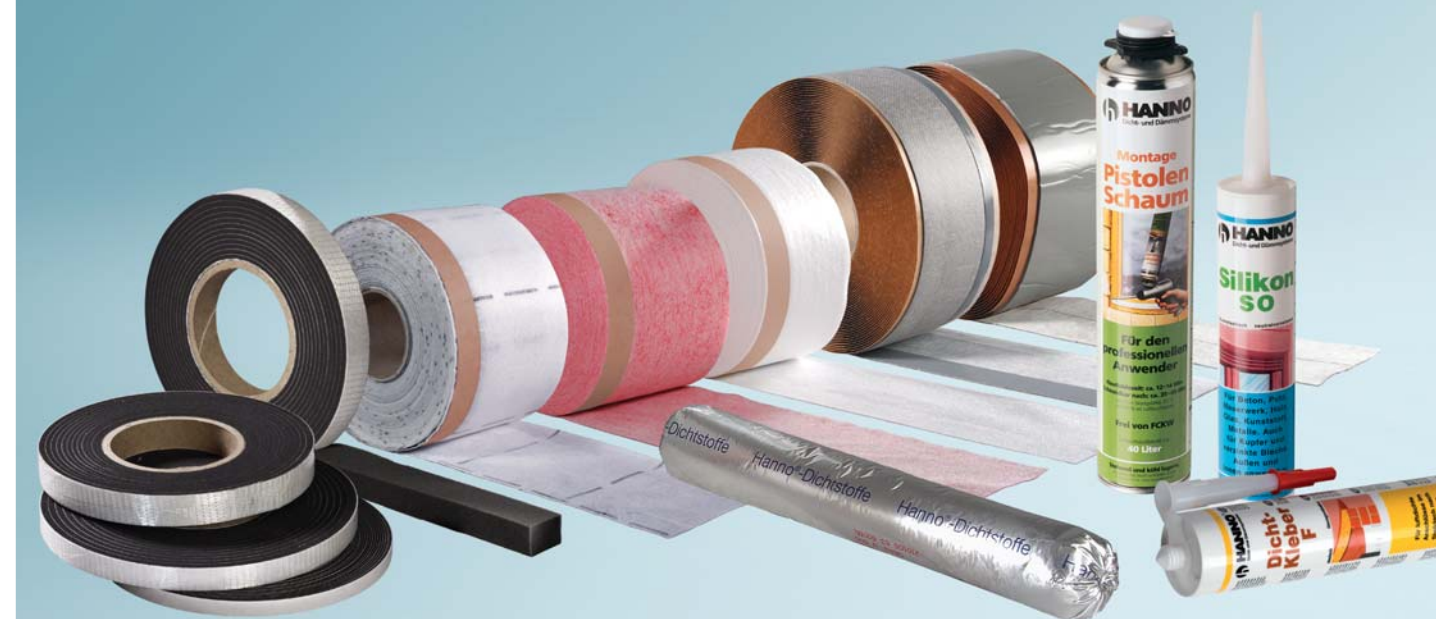
in the Russian Federation
Hanno Werk GmbH & Co. KG
c/o DMAN Representative
1. Kasachy per. 7 · RU-119017 Moscow
Russia
Telephone +7 4 95/7 30 40 43
Fax +7 4 95/7 30 40 44
E-mail: info@hanno.ru
Internet: www.hanno.ru

HANNO
Sealing and insulating Systems

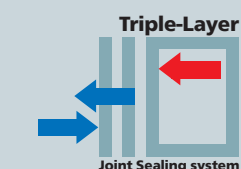
Hanno-Vito-Group A12011.0711 · www.verbeagentur-wittmann.de

Hanno® Triple-Layer Joint Sealing system

Hanno is certified pursuant to
ISO/TS 16949



- 10-year function guarantee! (in accordance with manufacturer's conditions when using all of the Hanno®-system components)
- The correct window sealing on the actual state of technology.
- Comply with the new energy saving laws by using specifically designed and matched components.



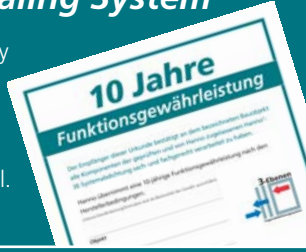
HANNO
Sealing and insulating Systems

10-year guarantee on function* for the Hanno Triple-Layer Joint Sealing System

Your advantages, at a glance:

- The Hanno sealing system is the safe and sure way of avoiding guarantee claims: Using Hanno system components for all layers is the basis for granting project-specific 10-year function guarantees.

- Your customers will be interested and impressed by the prospect of saving fuel costs and the security of guaranteed long-term joint integrity.
- Benefit from economic advantages: the value generated by a qualified installation is the better deal.



Hannoband®-BG1

The Master in the world of joint sealing tapes



- For highly stressed primary joints and cross joints
- Complies with DIN 18542:2009, Stress Group 1
- Driven rain tight > 600 Pa
- Building material class B1-DIN 4102



Hanno®-Duo Foil Tape

sd-variable foil-fleece combination



- Only one foil type for inside and outside (low stock levels)!
- Can be concealed on both sides using plaster or paint

Hanno®-Foil Tape FA-D

combination of fleece and a vapour diffusion open functional membrane



- Can be concealed on both sides using plaster or paint
- General building supervision test ABP-number P-NDS04-368
- Suitable for driven-rain proof connections ≥ 600 Pa
- Universally applicable for new buildings, renovations

Hanno®-Assembly Pistol Foam

Universal single component PU foam



- General building supervision test
- Also suitable as soundproofing foam, joint sound-proofing rating 57 dB

1

Weather protection layer

Must be wind-tight and driven rain tight but open for vapour diffusion.

2

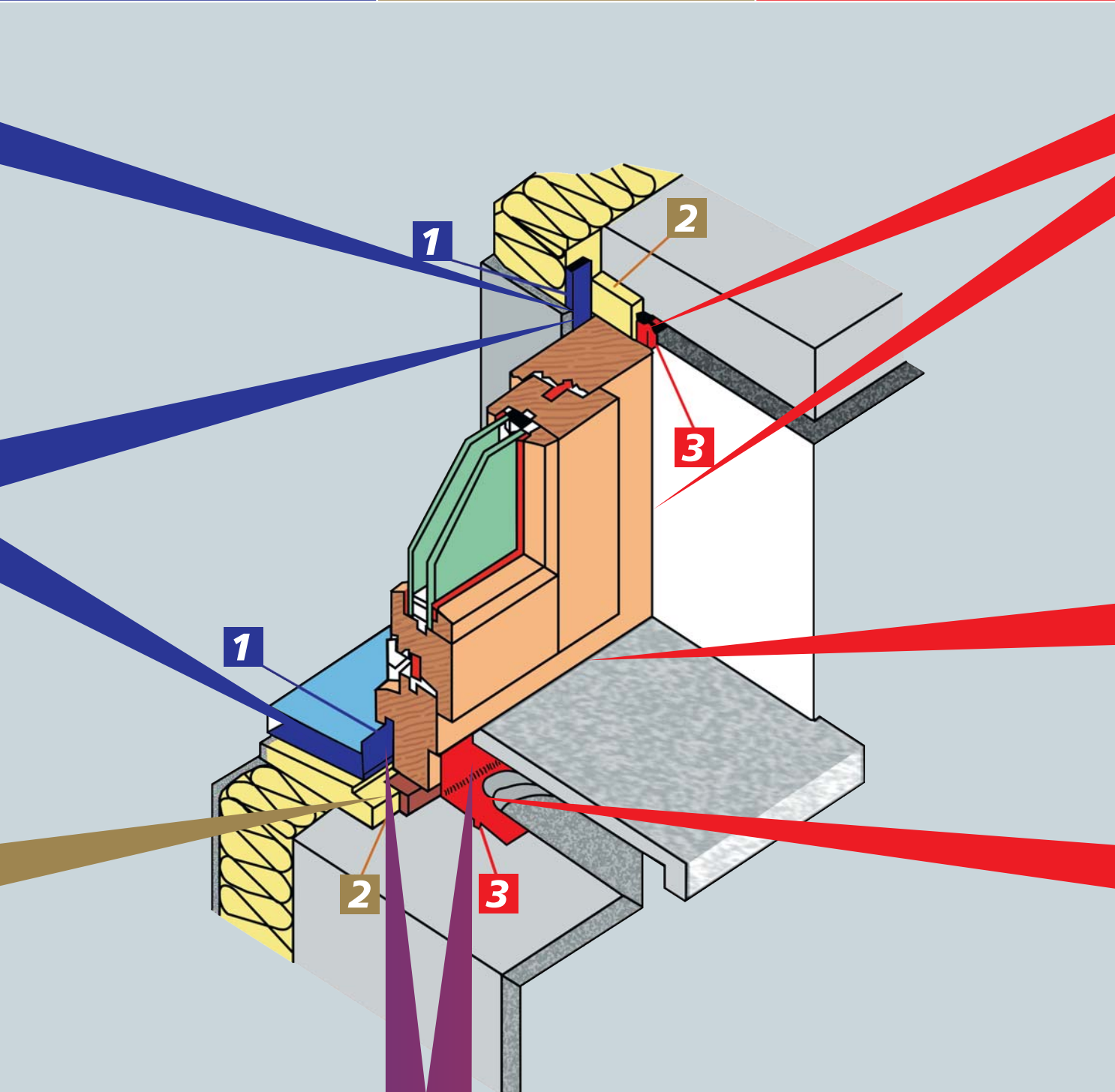
Function layer

The function layer is located between the outer and the inner layer. It provides soundproofing and thermal insulation in the connection zone. This layer should be completely filled.

3

Inner layer

Must be airtight and more resistant to vapour pressure than the outer seal.



Hanno®-Duo Foil Tape

sd-variable foil-fleece combination



- Only one foil type for inside and outside (low stock levels)!
- Can be concealed on both sides using plaster or paint

Hanno®-Foil Tape FI-D

Expandable, airtight foil-fleece combination



- Can be concealed on both sides using plaster or paint
- General building supervision test ABP-number P-NDS04-369
- For airtight connections $a_n \leq 0,1$
- Universally applicable for new buildings, renovations

Hanno®-Foil Tape FIB-2S

Fleece laminated butyl tape



- Double-sided adhesive
- Can be overplastered and overpainted, solvent-free, bitumen-free

Hanno®-Silicone SO

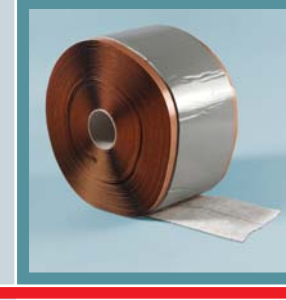
Neutral-curing



- Suitable for aluminium, stainless steel, brass, copper, galvanised sheet, tiles, ceramics, glass, PVC, wood
- Suitable for glass seals, equivalent to DIN 18545 part 2, group E

Hanno®-Foil Tape FIB-1S

Fleece laminated butyl tape



- Diffusion-inhibiting
- Solvent-free, bitumen-free
- Can be overplastered and overpainted

Hanno®-Sealing Adhesive F and Hanno®-3E Foil Adhesive MS



Adhesive for adhering Hanno® foil tapes to masonry inside and outside.

Hanno®-Sealing Adhesive F

- Solvent-free, no tackiness
- High adhesive strength
- Water-based (waterproof after hardening)
- Adhering and sealing in one go

Hanno®-3E Foil Adhesive MS

- Rainproof after a short time
- Can be applied to building moisture substrates
- Good processability in cold conditions

*in accordance with manufacturer's conditions when using all of the Hanno®-system components